

New Product Information

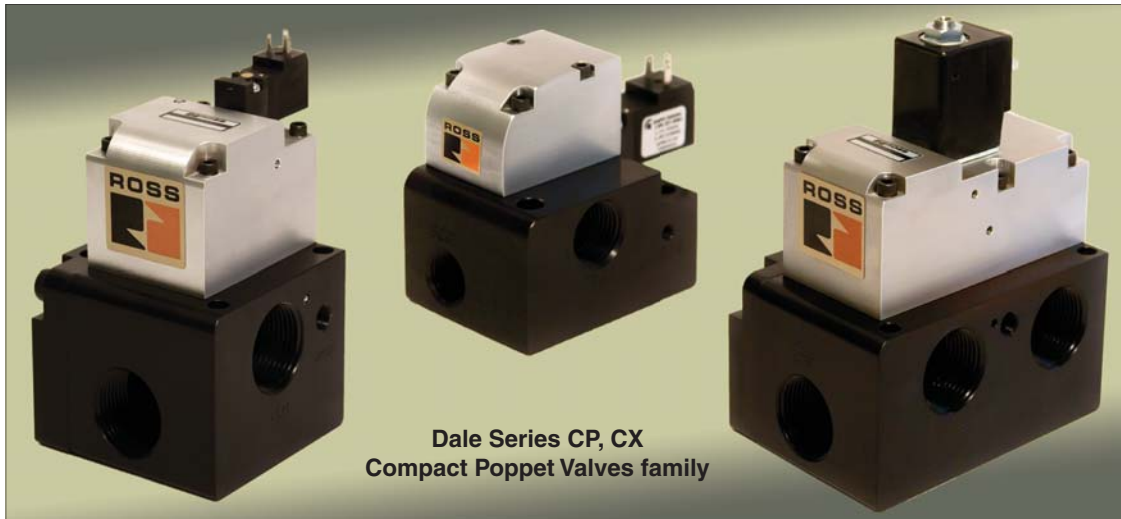
Dale Series CP, CX Compact Poppet Valves

2 & 3 Way

Normally Closed, Normally Open

Solenoid Pilot Controlled &

Pressure Controlled (available August 1st 2009)



Dale Series CP, CX
Compact Poppet Valves family

STANDARD SPECIFICATIONS:

Pilot Solenoid: AC or DC power. Rated for continuous duty. Voltage and hertz ratings shown on pilot housing.

Standard Voltages: 120 volts AC, 50/60 Hz; 24 volts DC.

Power Consumption:

Series CP, CX 2-port 2-position (2/2) normally closed & normally open (NC & NO) 1/2" and 1" inlet, Series CP, CX 3-port 2-position (3/2) NC & NO 1/2" inlet: 3 VA on AC; 2.5 watts on DC.

Series CP, CX 2-port 2-position 1 1/2" and 2 1/2" inlet NC & NO, Series CP, CX 3-port 2-position (NC & NO) 1" inlet: 36 VA inrush, 23 VA holding on AC; 15 watts on DC.

Ambient Temperature: 40° to 120°F (4° to 50°C).

Media Temperature: 40° to 175°F (4° to 80°C).

Flow Media: Filtered air; 5 micron recommended.

Inlet Pressure:

Solenoid Pilot: Vacuum to 145 psig (10 bar), (vacuum service requires external pilot supply).

Pressure Controlled: to 250 psig (17 bar).

Pilot Pressure: 30 to 145 psig (2 to 10 bar). Must be equal to or greater than inlet pressure. For vacuum service models requiring external pilot supply, a pilot pressure of at least 30 psig (2 bar) is required.

Override: Standard on 2/2 valves, 3/8" thru 1" bodies and 3/2 valves, 3/8" thru 1/2" bodies. Non-Locking.

Port Threads: NPT standard, BSPP.

GENERAL:

Inline & Stackable Manifold.

Operation: Internal or external piloted, solenoid pilot controlled or pressure controlled, high flow poppet valve.

Note: External pilot pressure must be equal to or greater than inlet pressure to insure proper function.

Mounting: Through holes for mounting.

Materials: Anodized aluminum alloy body, and aluminum alloy top plate. Aluminum alloy poppet with bonded Buna-N sealing surface. Elastomers: Nitrile rubber O-rings.

FEATURES:

- Cost effective
- Compact design
- Robust construction
- Ease of maintenance and repair
- Leak tight construction (Series CX)
- High flow
- Port Pressure Independent
- Continuous duty rated
- Non-Lube service

APPLICATIONS:

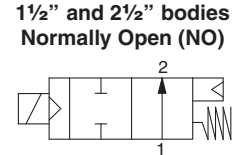
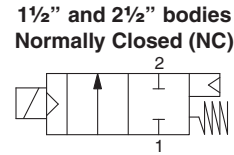
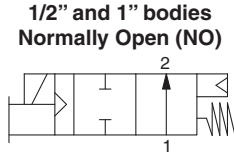
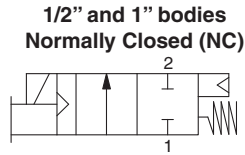
- Pulp & Paper - Pulp slurries
- Steel Mills - Pickling slurries
- Packaging - Food and chemical
- Power Generation - Cooling water
- Industrial Mineral
- Vacuum
- Leak Test

Note: For fluid applications, consult ROSS.



Series CP, CX Solenoid Pilot Controlled Valves

2/2 Valves



Port Sizes		Valve Model Number*		Avg. C_v	Dimensions inches (mm)			Weight lb (kg)
1	2	NC	NO		Length	Width	Height	
1/2	3/8	CP14NA37101Z	CP24NA37101Z	3.5	3.83 (97.3)	2.83 (71.9)	2.85 (72.4)	1.4 (0.6)
1/2	1/2	CP14NA47101Z	CP24NA47101Z	3.5	3.83 (97.3)	2.83 (71.9)	2.85 (72.4)	1.4 (0.6)
1	3/4	CP16NA57101Z	CP26NA57101Z	12.3	4.16 (105.7)	3.45 (87.6)	5.63 (143.0)	3.5 (1.6)
1	1	CP16NA67101Z	CP26NA67101Z	12.3	4.16 (105.7)	3.45 (87.6)	5.63 (143.0)	3.5 (1.6)
1 1/2	1/4	CP18NA77101Z	CP28NA77101Z	41.4	5.37 (136.6)	5.00 (127.0)	8.52 (216.4)	10.0 (4.6)
1 1/2	1/2	CP18NA87101Z	CP28NA87101Z	41.4	5.37 (136.6)	5.00 (127.0)	8.52 (216.4)	10.0 (4.6)
2 1/2	2	CP10NA97101Z	CP20NA97101Z	100	6.35 (161.3)	6.75 (171.5)	10.40 (264.1)	19.5 (8.9)
2 1/2	2 1/2	CP10NA07101Z	CP20NA07101Z	100	6.35 (161.3)	6.75 (171.5)	10.40 (264.1)	19.5 (8.9)

*120 volts AC 60 Hz; for 24 volts DC, replace suffix "Z" with "W", e.g. CP14NA37101W.

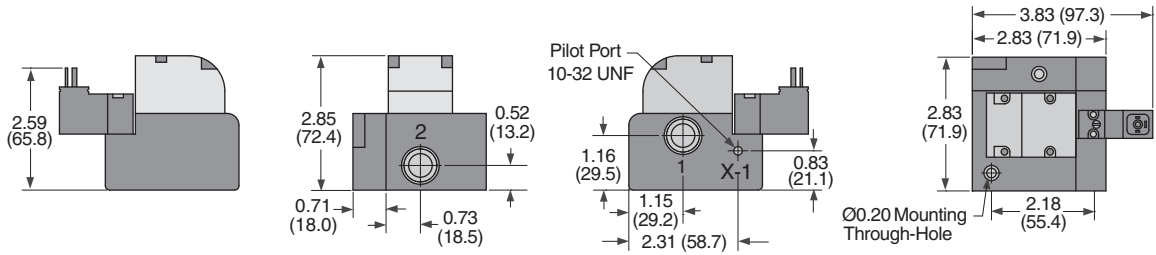
NPT port threads; for BSP threads, replace "N" in the model number with a "D", e.g. CP14DA37101Z.

For models with external pilot supply, replace shaded "1" in the model number with a "5", e.g. CP14NA37501Z.

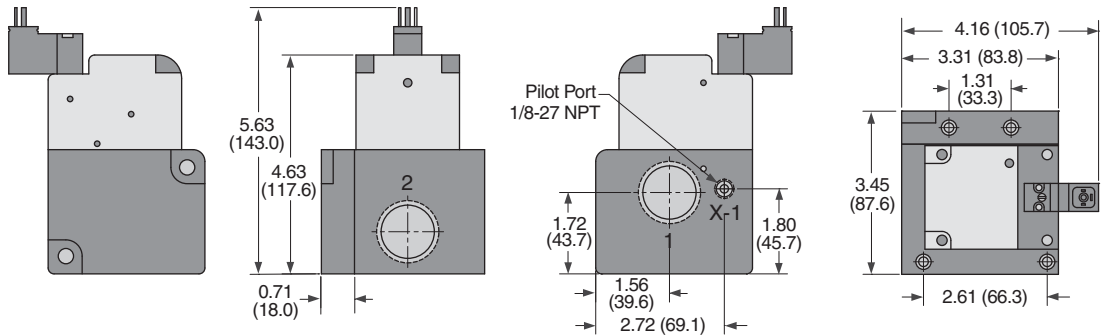
For models with leak tight construction, replace prefix "CP" with "CX", e.g. CX14NA37501Z.

2/2 Valve Dimensions – inches (mm)

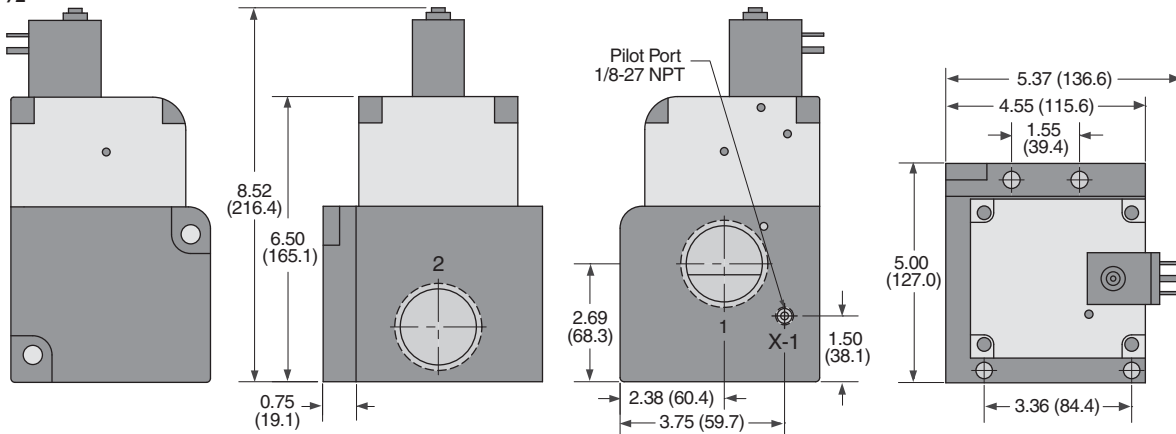
Port Sizes: 3/8 thru 1/2



Port Sizes : 1/2 thru 1

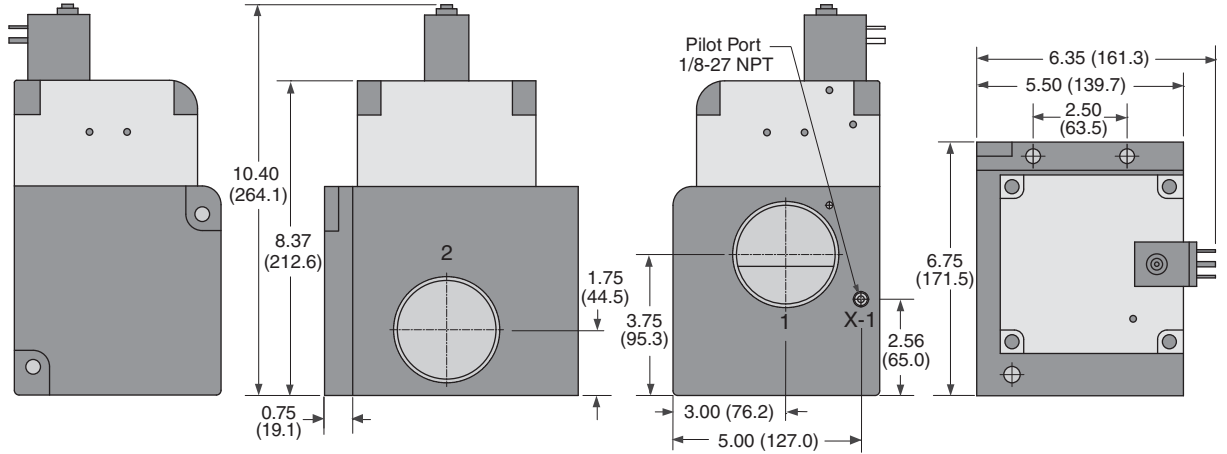


Port Sizes: 1/4 thru 1 1/2

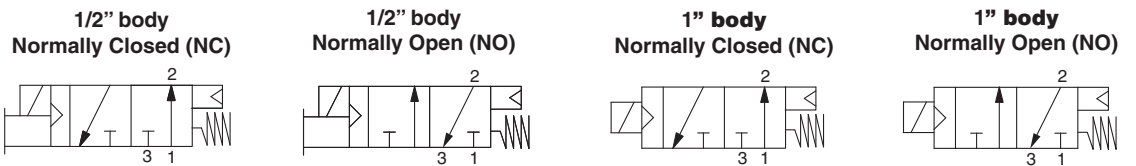


Series CP, CX Solenoid Pilot Controlled Valves

Port Sizes: 2 thru 2½



3/2 Valves

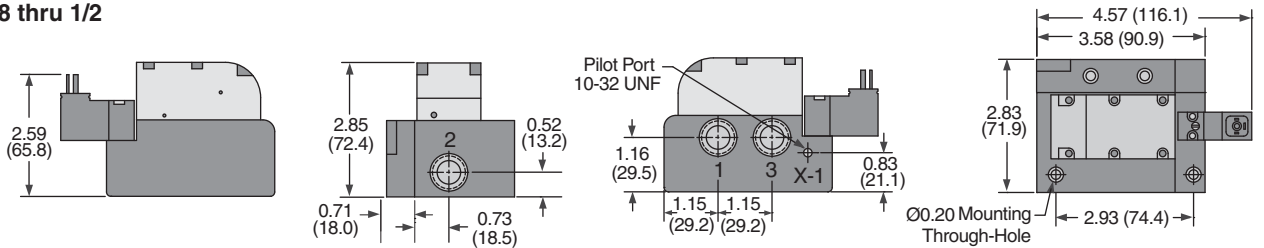


Port Sizes		Valve Model Number*		Avg. C _v		Dimensions inches (mm)			Weight
1	2	NC	NO	NC	NO	Length	Width	Height	lb (kg)
1/2	3/8	CP34NA37101Z	CP44NA37101Z	3.2	3.2	4.57 (116.1)	2.83 (71.9)	2.85 (72.4)	1.8 (0.8)
1/2	1/2	CP34NA47101Z	CP44NA47101Z	3.2	3.2	4.57 (116.1)	2.83 (71.9)	2.85 (72.4)	1.8 (0.8)
1	3/4	CP36NA57101Z	CP46NA57101Z	12.3	12.3	5.00 (127.0)	3.45 (87.6)	6.33 (160.8)	5.3 (2.4)
1	1	CP36NA67101Z	CP46NA67101Z	12.3	12.3	5.00 (127.0)	3.45 (87.6)	6.33 (160.8)	5.3 (2.4)

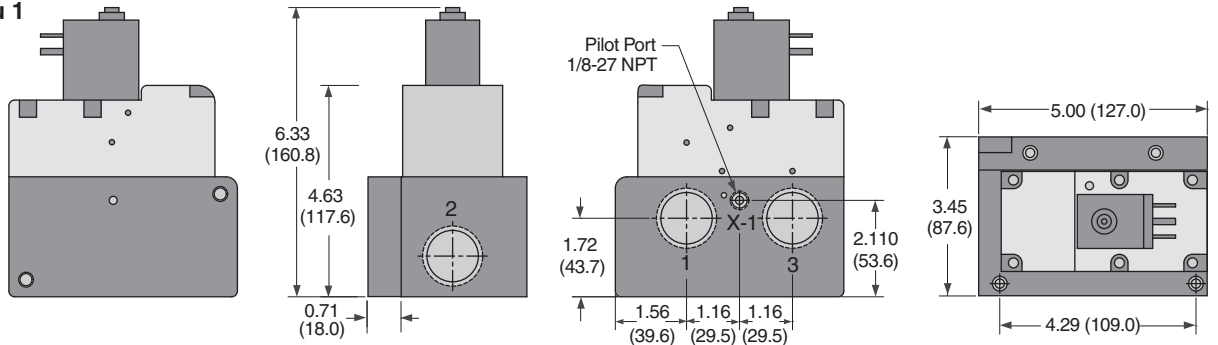
*120 volts AC 60 Hz; for 24 volts DC, replace suffix "Z" with a "W", e.g. CP34NA37101W.
 NPT port threads, for BSPP threads, replace "N" in the model number with a "D", e.g. CP34DA37101Z.
 For models with external pilot supply, replace the shaded "1" in the model number with a "5", e.g. CP34NA37501Z.
 For models with leak tight construction, replace prefix "CP" with "CX", e.g. CX34NA37101Z.

3/2 Valve Dimensions – inches (mm)

Port Sizes: 3/8 thru 1/2



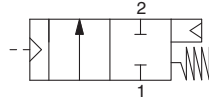
Port Sizes: 1/2 thru 1



Series CP, CX Pressure Controlled Valves

2/2 Valves

2/2 Normally Closed (NC)



Pressure Controlled
Valves available
August 1st, 2009.

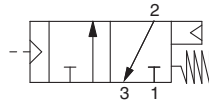
2/2 Pressure Controlled

Port Sizes		Valve Model Number*
1	2	NC
1/2	3/8	CP14NA35501
1/2	1/2	CP14NA45501
1	3/4	CP16NA55501
1	1	CP16NA65501
1½	1¼	CP18NA75501
1½	1½	CP18NA85501
2½	2	CP10NA95501
2½	2½	CP10NA05501

*NPT port threads; for BSPP threads, replace "N" in the model number with a "D", e.g. CX14DA35501.
For models with leak tight construction, replace prefix "CP" with "CX", e.g. CX14NA35501.

3/2 Valves

3/2 Normally Closed (NC)



3/2 Pressure Controlled

Port Sizes		Valve Model Number*
1	2	NC
1/2	3/8	CP34NA35501
1/2	1/2	CP34NA45501
1	3/4	CP36NA55501
1	1	CP36NA65501

*NPT port threads, for BSPP threads, replace "N" in the model number with a "D", e.g. CX34DA35501.
For models with leak tight construction, replace prefix "CP" with "CX", e.g. CX34NA35501.

For more information on pressure controlled valves, consult ROSS.



ROSS CONTROLS®
U.S.A.
Customer Svs. 1-800-GET-ROSS
Technical Svs. 1-888-TEK-ROSS
www.rosscontrols.com

WARRANTY and CAUTIONS

Standard ROSS warranty and cautions apply, available upon request or at www.rosscontrols.com.

ROSS EUROPA GmbH
Germany
Fax: 49-6103-74694
info@rosseuropa.com

ROSS ASIA® K.K.
Japan
Fax: 81-427-78-7256
custsvc@rossasia.co.jp

ROSS UK Ltd.
United Kingdom
Fax: 44-121-559-5309
sales@rossuk.co.uk

ROSS CONTROLS® INDIA Pvt. Ltd.
India
Fax: 91-44-2625-8730
rossindia@airtelbroadband.in

ROSS SOUTH AMERICA Ltda.
Brazil
Fax: 55-11-4335-3888
vendas@ross-sulamerica.com.br

DIMAFLUID s.a.s.
France
Fax: 33-01-4945-6530
dimafluid@dimafluid.com

ROSS CONTROLS (CHINA) Ltd.
China
Fax: 86-21-6915-7960
alvinzhurong@vip.163.com

New Product Information

Dale Series CP, CX Manifold Compact Poppet Valves

2 & 3 Way
Normally Closed, Normally Open
Solenoid Pilot Controlled &
Pressure Controlled (available August 1st 2009)



CP, CX Series Manifold
2/2 Valves, Ports: 1/4 thru 1/2



CP, CX Series Manifold
3/2 Valves, Ports: 1/4 thru 1/2



CP, CX Series Manifold
2/2 Valves, Ports: 2 thru 2 1/2

GENERAL:

The Dale Series CP, CX 2- & 3-way poppet valves are available in customer specified compact manifolds. This flexible design allows the customer to combine normally open, normally closed, solenoid pilot controlled or pressure controlled valves in a single manifold. Once installed, manifolds can be completely serviced or repair kits installed within minutes.

FEATURES:

- Cost effective
- Compact design
- Robust construction
- Continuous duty rated
- Non-Lube service
- High flow
- Leak tight (Series CX)
- Port Pressure Independent
- Ease of maintenance and repair

APPLICATIONS:

- Pulp & Paper - Pulp slurries
- Steel Mills - Pickling slurries
- Packaging - Food and chemical
- Power Generation - Cooling water
- Industrial Mineral
- Vacuum
- Leak Test

Note: For fluid applications, consult ROSS.

STANDARD SPECIFICATIONS:

Stackable manifold.

2-port 2-position, normally closed (NC) or normally open (NO).

3-port 2-position, normally closed (NC) or normally open (NO).

Port Sizes: Inlet and exhaust 1/2" to 2 1/2", outlet 3/8" to 2 1/2".

Pressure Range: Absolute vacuum to 145 psi (10 bar).

Operator: Solenoid pilot controlled or pressure controlled.

Mounting Options: Through hole base mount.



CP, CX Series Manifold
2/2 Valves, Ports: 1/2 thru 2 1/2



CP, CX Series Manifold
3/2 Valves, Ports: 1/2 thru 1

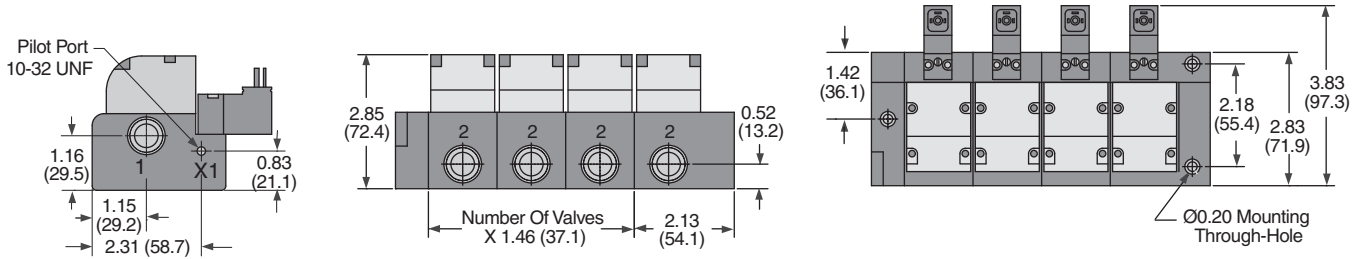
ROSS
Consider it **DONE!**

Series CP, CX Manifold, Solenoid Pilot Controlled Valves

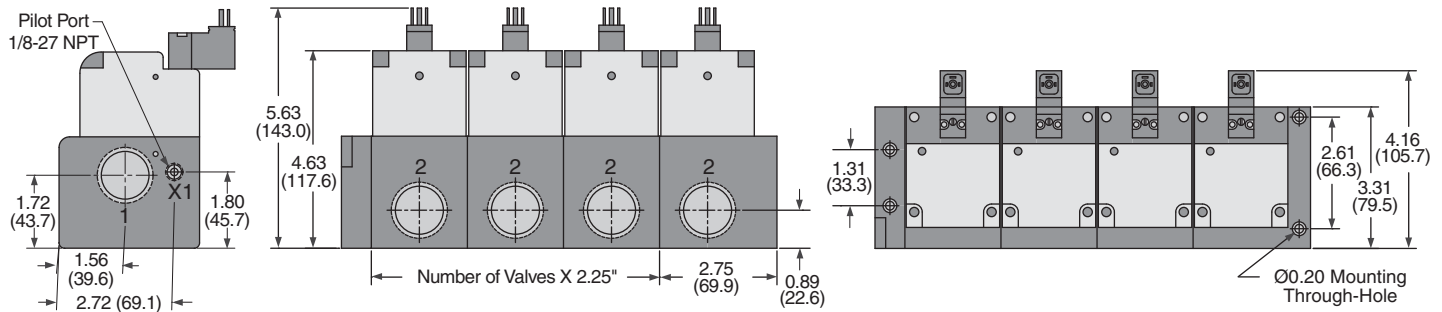
2/2 Valves

Manifold Dimensions – inches (mm)

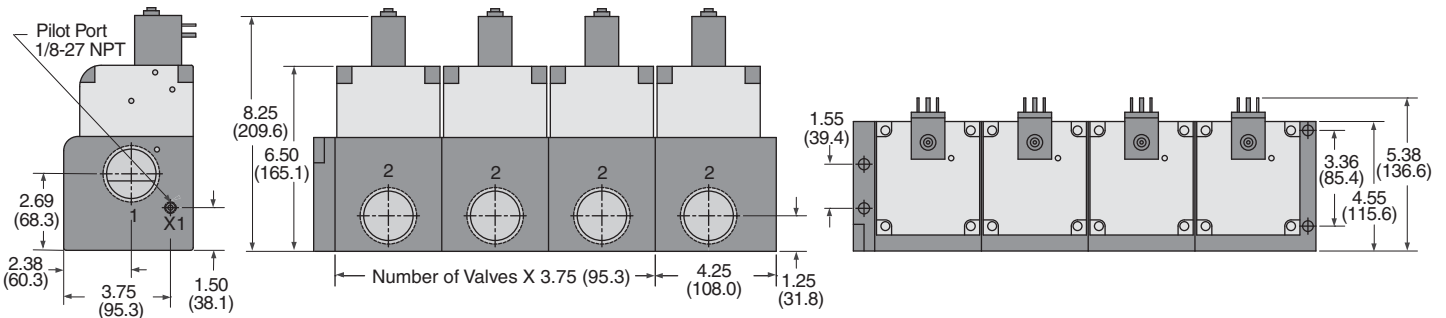
Port Sizes: 3/8 thru 1/2



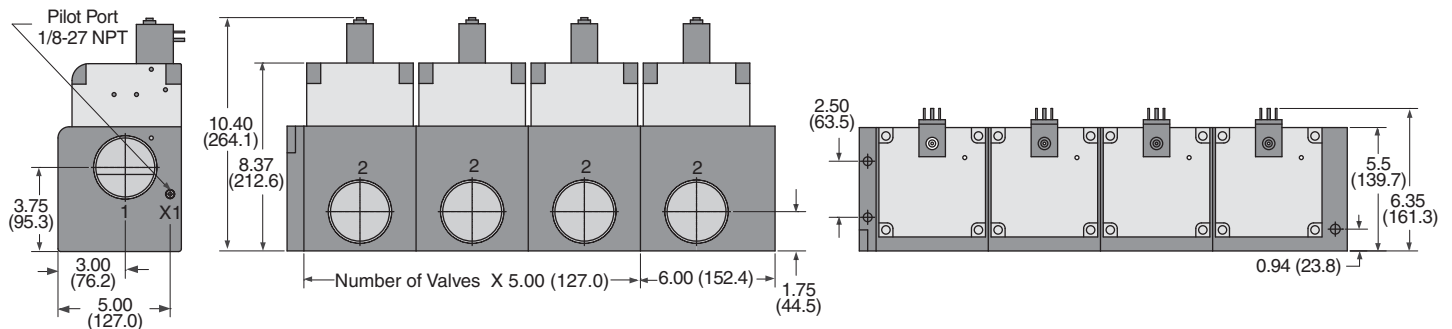
Port Sizes: 1/2 thru 1



Port Sizes: 1 1/4 thru 1 1/2



Port Sizes: 2 thru 2 1/2

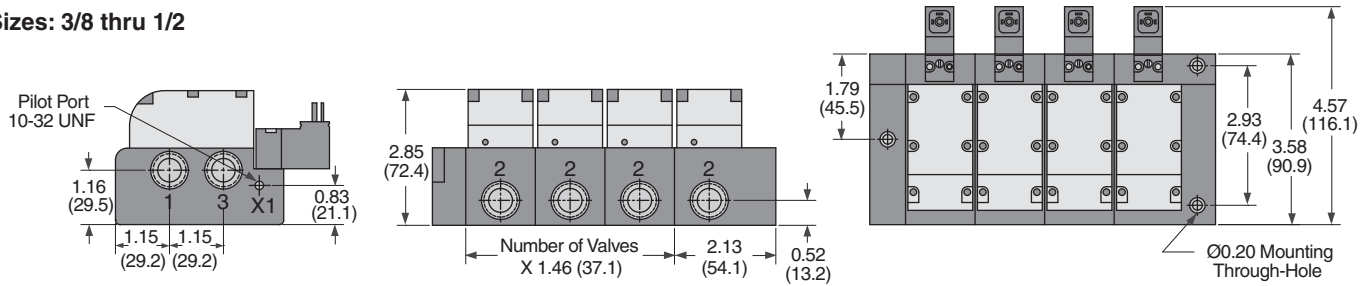


Series CP, CX Manifold, Solenoid Pilot Controlled Valves

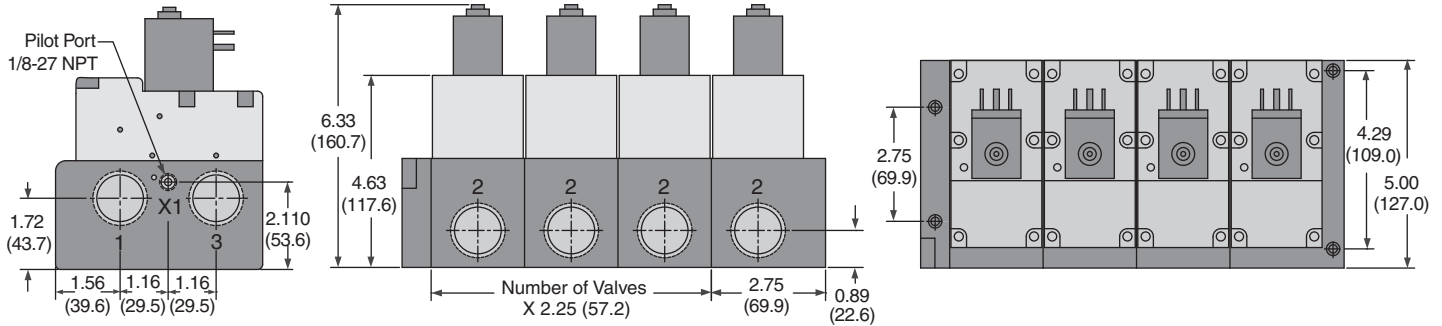
3/2 Valves

Manifold Dimensions – inches (mm)

Port Sizes: 3/8 thru 1/2



Port Sizes: 1/2 thru 1



HOW TO ORDER

When ordering the Dale Series CP, CX preassembled manifold valves with the same model number select the part number from the following charts. For reference and more information on CP, CX valves, see ROSS form number NPS017. Manifolds can be ordered from two to ten stations.

For solenoid pilot controlled, indicate the number of stations with the digit preceding the voltage code. For pressure controlled, indicate the number of stations with the last digit.

Port Sizes		Valve Model Number*		Avg. C _v
1	2	NC	NO	
2/2 Solenoid Pilot Controlled				
1/2	3/8	CP14NA37111Z	CP24NA37111Z	3.7
1/2	1/2	CP14NA47111Z	CP24NA47111Z	3.7
1	1/2	CP16NA47111Z	CP26NA47111Z	13.7
1	3/4	CP16NA57111Z	CP26NA57111Z	13.7
1	1	CP16NA67111Z	CP26NA67111Z	13.7
1½	1¼	CP18NA77111Z	CP28NA77111Z	59.3
1½	1½	CP18NA87111Z	CP28NA87111Z	59.3
2½	2	CP10NA97111Z	CP20NA97111Z	100
2½	2½	CP10NA07111Z	CP20NA07111Z	100
3/2 Solenoid Pilot Controlled				
1/2	3/8	CP34NA37111Z	CP44NA37111Z	3.6
1/2	1/2	CP34NA47111Z	CP44NA47111Z	3.6
1	1/2	CP36NA47111Z	CP46NA47111Z	12.3
1	3/4	CP36NA57111Z	CP46NA57111Z	12.3
1	1	CP36NA67111Z	CP46NA67111Z	12.3
Port Sizes		Valve Model Number*		
1	2	NC		
2/2 Pressure Controlled				
1/2	3/8	CP14NA35511		
1/2	1/2	CP14NA45511		
1	1/2	CP16NA45511		
1	3/4	CP16NA55511		
1	1	CP16NA65511		
1½	1¼	CP18NA7551		
1½	1½	CP18NA85511		
2½	2	CP10NA95511		
2½	2½	CP10NA05511		
3/2 Pressure Controlled				
1/2	3/8	CP34NA35511		
1/2	1/2	CP34NA45511		
1	1/2	CP36NA45511		
1	3/4	CP36NA55511		
1	1	CP36NA65511		

Pressure Controlled Valves available August 1st, 2009.

*120 volts AC, 50/60 Hz; for 24 volts DC, replace suffix "Z" with "W", e.g. CP14NA37111W.
 NPT port threads; for BSPP threads, replace "N" in the model number with a "D", e.g. CP14DA37111Z.
 For models with external pilot supply, replace shaded "1" in the model number with a "5", e.g. CP14NA37511Z.
 For models with leak tight construction, replace prefix "CP" with "CX", e.g. CX14NA37511Z.

Solenoid Pilot Controlled, manifold part number example: CP14NA37114Z, 4 = Number of Stations
 Pressure Controlled, manifold part number example: CP34NA35514, 4 = Number of Stations

Once part number has been created, submit to ROSS for price and delivery.

CP, CX Series Assembled Manifolds Ordering Information

Complete valves-on-manifold assemblies can be ordered to fit your precise requirements. A copy of this page can be used to provide ROSS with your specific assembly instructions.

When ordering the Dale Series CP, CX manifold valves with different valve functions - for example a normally closed, normally open and 2 pressure controlled valves, list the valves in the chart below.

Manifolds can be ordered from two to ten stations.

Note: Be sure that these instructions are identified by your company name and address, as well as a contact name.

Valve Position Number*	Valve Model Number	Valve Function

*Inlet station 1 is on the right, while viewing manifold from the outlet ports.

Ordered By: _____ Date: _____

Company Name _____

Address _____

City, State, Zip Code _____

Contact Name _____ P.O. No _____

Example:

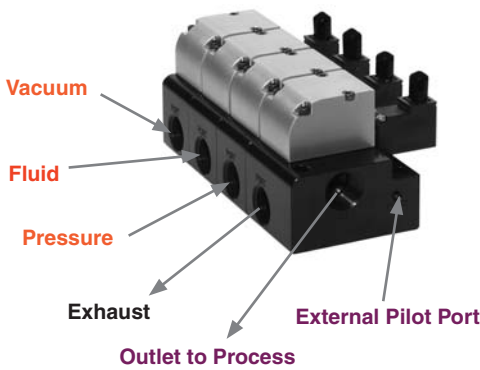
Valve Position Number*	Valve Model Number	Valve Function
1	CP14NA37111Z	Normally Closed (NC)
2	CP24NA37111Z	Normally Open (NO)
3	CP14NA35511	Pressure Controlled
4	CP14NA35511	Pressure Controlled

*Inlet station 1 is on the right, while viewing manifold from the outlet ports.

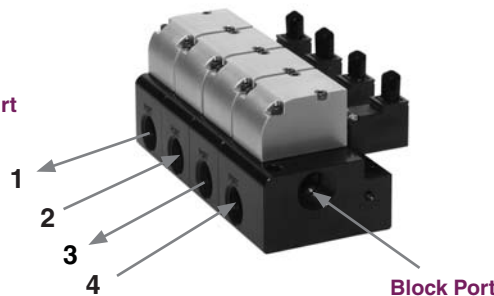
After the chart is complete, submit to ROSS for preassembly part number, price and delivery.

Applications Examples

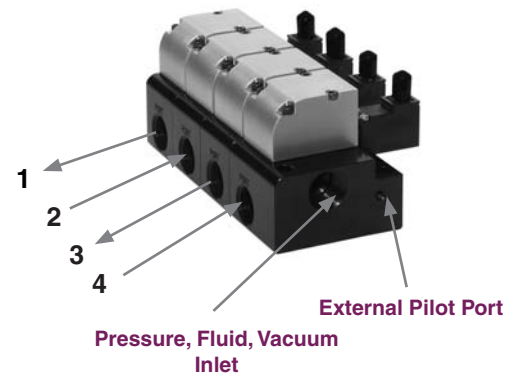
Process Solutions



Process Routing



Channel Selection



ROSS CONTROLS®
U.S.A.
Customer Svs. 1-800-GET-ROSS
Technical Svs. 1-888-TEK-ROSS
www.rosscontrols.com

WARRANTY and CAUTIONS

Standard ROSS warranty and cautions apply, available upon request or at www.rosscontrols.com.

ROSS EUROPA GmbH
Germany
Fax: 49-6103-74694
info@rosseuropa.com

ROSS ASIA® K.K.
Japan
Fax: 81-427-78-7256
custsvc@rossasia.co.jp

ROSS UK Ltd.
United Kingdom
Fax: 44-121-559-5309
sales@rossuk.co.uk

ROSS CONTROLS® INDIA Pvt. Ltd.
India
Fax: 91-44-2625-8730
rossindia@airtelbroadband.in

ROSS SOUTH AMERICA Ltda.
Brazil
Fax: 55-11-4335-3888
vendas@ross-sulamerica.com.br

DIMAFLUID s.a.s.
France
Fax: 33-01-4945-6530
dimafluid@dimafluid.com

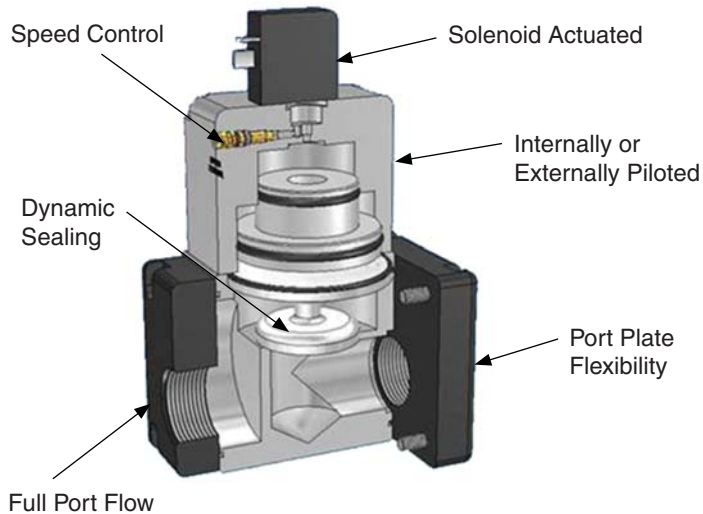
ROSS CONTROLS (CHINA) Ltd.
China
Fax: 86-21-6915-7960
alvinzhurong@vip.163.com

New Product Information

Dale Series LF, LX Inline Poppet Valves

2 Way

**Normally Closed, Normally Open
Solenoid Pilot Controlled &
Pressure Controlled** (available August 1st, 2009)



STANDARD SPECIFICATIONS:

Pilot Solenoid: AC or DC power. Rated for continuous duty. Voltage and hertz ratings shown on pilot housing.

Standard Voltages: 120 volts AC, 50/60 Hz; 24 volts DC.

Power Consumption:

Series LF, LX 2-port 2-position 3/8" and 1/2" inlet:
9.8 VA on AC; 7.5 watts on DC.

Series LF, LX 2-port 2-position (2/2) 3/4 thru 2 1/2" inlet:
36 VA inrush, 23 VA holding on AC; 15 watts on DC.

Ambient Temperature: 40° to 120°F (4° to 50°C).

Media Temperature: 40° to 175°F (4° to 80°C).

Flow Media: Filtered air; 5 micron recommended.

Inlet Pressure:

*Solenoid Pilot: Vacuum to 145 psig (10 bar), (vacuum service requires external pilot supply).
Pressure Controlled units to 250 psig (17 bar).*

Pilot Pressure: 30 to 145 psig (2 to 10 bar). Must be equal to or greater than inlet pressure. For vacuum service models requiring external pilot supply, a pilot pressure of at least 30 psig (2 bar) is required.

Port Threads: NPT standard, BSPP.

GENERAL:

Operation:

LF - Internal or external piloted, solenoid pilot controlled or pressure controlled, high flow poppet valve.

LX - External piloted, solenoid pilot controlled or pressure controlled, high flow poppet valve.

Note: External pilot pressure must be equal to or greater than inlet pressure to insure proper function.

Materials: Anodized aluminum alloy body, and aluminum alloy top plate. Aluminum alloy poppet with bonded Buna-N sealing surface.

FEATURES:

- Cost effective
- Compact design
- Robust construction
- Ease of maintenance and repair
- Leak tight construction (Series LX)
- Full flow
- Speed Control - fast shift or controlled shift in both ways, to eliminate hammering

APPLICATIONS:

- Pulp & Paper - Pulp slurries
- Steel Mills - Pickling slurries
- Packaging - Food and chemical
- Power Generation - Cooling water
- Industrial Mineral
- Vacuum
- Leak Test

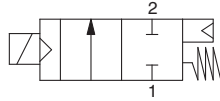
Note: For fluid applications, consult ROSS.



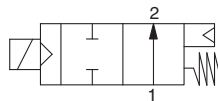
Series LF, LX Solenoid Pilot Controlled Valves

2/2 Valves

Normally Closed (NC)



Normally Open (NO)



Port Sizes		Valve Model Number*		Avg. C_v	Dimensions inches (mm)			Weight lb (kg)
1	2	NC	NO		Length	Width	Height	
3/8	3/8	LF13NA37101Z	LF23NA37101Z	3.6	3.12 (79.4)	1.88 (47.7)	4.81 (122.2)	1.5 (0.7)
1/2	1/2	LF14NA47101Z	LF24NA47101Z	3.6	3.12 (79.4)	1.88 (47.7)	4.81 (122.2)	1.5 (0.7)
3/4	3/4	LF15NA57101Z	LF25NA57101Z	12.2	4.12 (104.7)	2.50 (63.5)	6.96 (176.8)	3.5 (1.6)
1	1	LF16NA67101Z	LF26NA67101Z	12.2	4.12 (104.7)	2.50 (63.5)	6.96 (176.8)	3.5 (1.6)
1¼	1¼	LF17NA77101Z	LF27NA77101Z	36.1	9.12 (231.7)	3.75 (95.3)	5.50 (139.7)	9.3 (4.2)
1½	1½	LF18NA87101Z	LF28NA87101Z	36.1	9.12 (231.7)	3.75 (95.3)	5.50 (139.7)	9.3 (4.2)
2	2	LF19NA97101Z	LF29NA97101Z	64.7	10.72 (272.2)	5.00 (127.0)	7.50 (190.5)	19.3 (8.8)
2½	2½	LF10NA07101Z	LF20NA07101Z	64.7	10.72 (272.2)	5.00 (127.0)	7.50 (190.5)	19.3 (8.8)

*120 volts AC 50/60 Hz; for 24 volts DC, replace suffix "Z" with "W", e.g. LF13NA37101W.

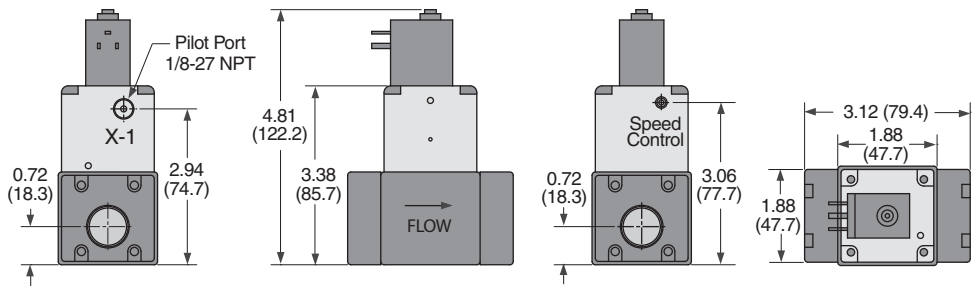
NPT port threads; for BSPP threads, replace "N" in the model number with a "D", e.g. LF13DA37101Z.

For models with external pilot supply, replace the shaded "1" in the model number with a "5", e.g. LF13NA37501Z.

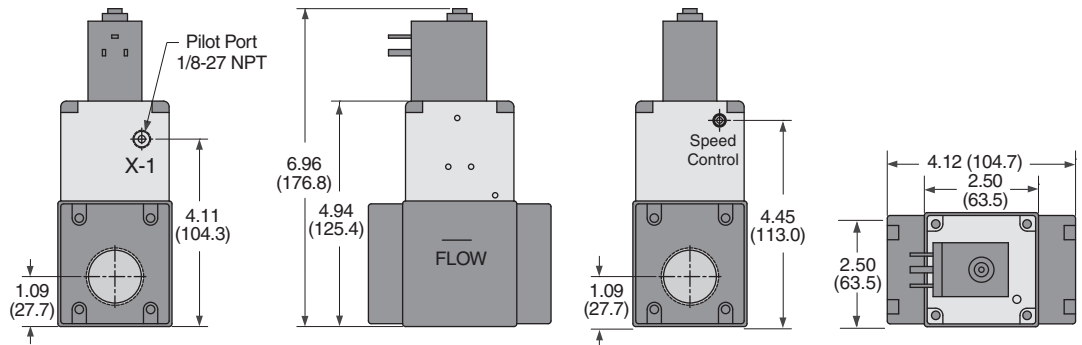
For models with leak tight construction, replace prefix "LF" with "LX", e.g. LX13NA37501Z.

Valve Dimensions – inches (mm)

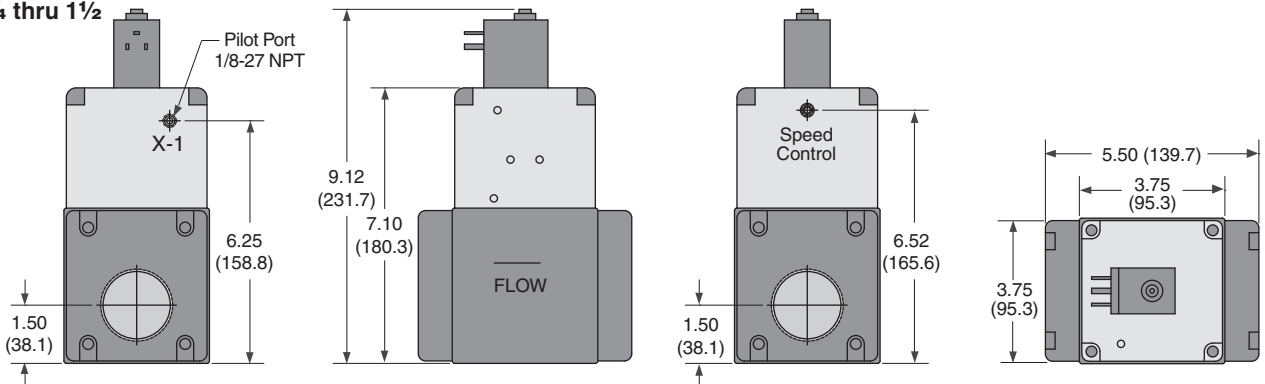
Port Sizes: 3/8 thru 1/2



Port Sizes: 3/4 thru 1

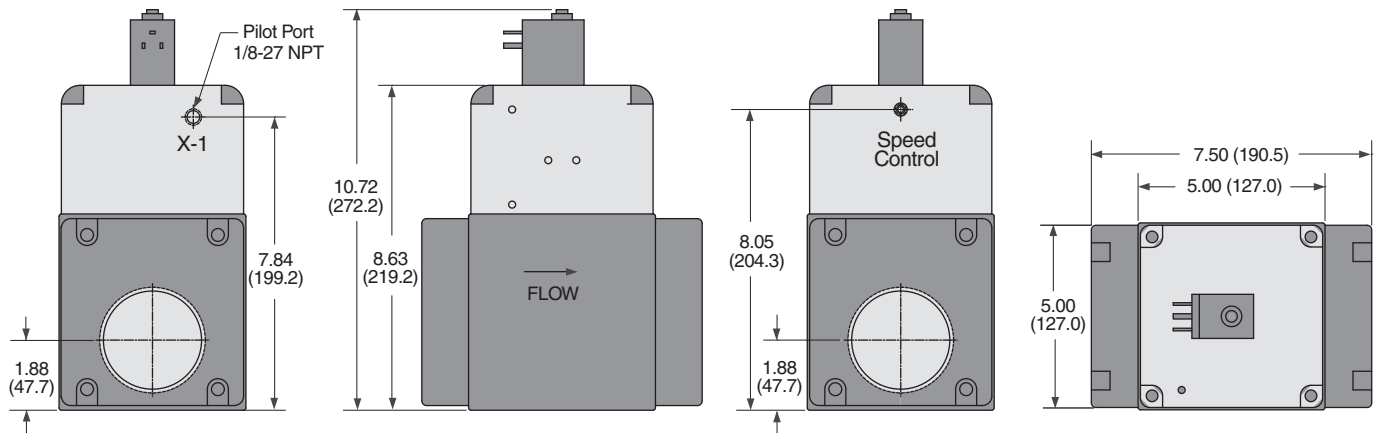


Port Sizes: 1¼ thru 1½



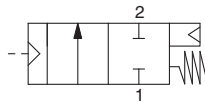
Series LF, LX Solenoid Pilot Controlled Valves

Port Sizes: 2 thru 2½



Series LF, LX Pressure Controlled Valves

2/2 Normally Closed (NC)



**Pressure Controlled
Valves available
August 1st, 2009.**

2/2 Pressure Controlled

Port Sizes		Valve Model Number*
1	2	NC
3/8	3/8	LF13NA35501
1/2	1/2	LF14NA45501
3/4	3/4	LF15NA55501
1	1	LF16NA65501
1¼	1¼	LF17NA75501
1½	1½	LF18NA85501
2	2	LF19NA95501
2½	2½	LF10NA05501

*NPT port threads; for BSPP threads, replace "N" in the model number with a "D", e.g. LX13DA35501.
For models with leak tight construction, replace prefix "LF" with "LX", e.g. LX13NA35501.

For more information on pressure controlled valves, consult ROSS.

Since 1921 ROSS CONTROLS® has been manufacturing the highest quality pneumatic valves. Founded by three families and still privately held, Ross has grown from a small Michigan valve company into a company with global subsidiaries and distribution throughout the world. It is this global presence that allows Ross to focus on specific industries and provide the global support required in our integrated world. Ross continues to lead in industries such as safety by providing products to meet the specific requirements of those industries as well as the global standards.

For over 60 years Ross has produced redundant monitored valves for safety applications. The DM²® Series C and Series E are our latest control-reliable valve series that are third party certified for category 3 and 4 applications. Our SV Series is third party certified for category 2 and 3 applications. 2008 marked the 46th anniversary for our pneumatic energy isolation L-O-X® valve Series. All of our safety products meet or exceed the global safety requirements for machine safeguarding and energy isolation. Our global safety team can assist with system and product selection and provide solutions that help customers standardize globally.



ROSS CONTROLS®
U.S.A.

Customer Svs. 1-800-GET-ROSS
Technical Svs. 1-888-TEK-ROSS
www.rosscontrols.com

WARRANTY and CAUTIONS

Standard ROSS warranty and cautions apply, available upon request or at www.rosscontrols.com.

ROSS EUROPA GmbH
Germany
Fax: 49-6103-74694
info@rosseuropa.com

ROSS ASIA® K.K.
Japan
Fax: 81-427-78-7256
custsvc@rossasia.co.jp

ROSS UK Ltd.
United Kingdom
Fax: 44-121-559-5309
sales@rossuk.co.uk

ROSS CONTROLS® INDIA Pvt. Ltd.
India
Fax: 91-44-2625-8730
rossindia@airtelbroadband.in

ROSS SOUTH AMERICA Ltda.
Brazil
Fax: 55-11-4335-3888
vendas@ross-sulamerica.com.br

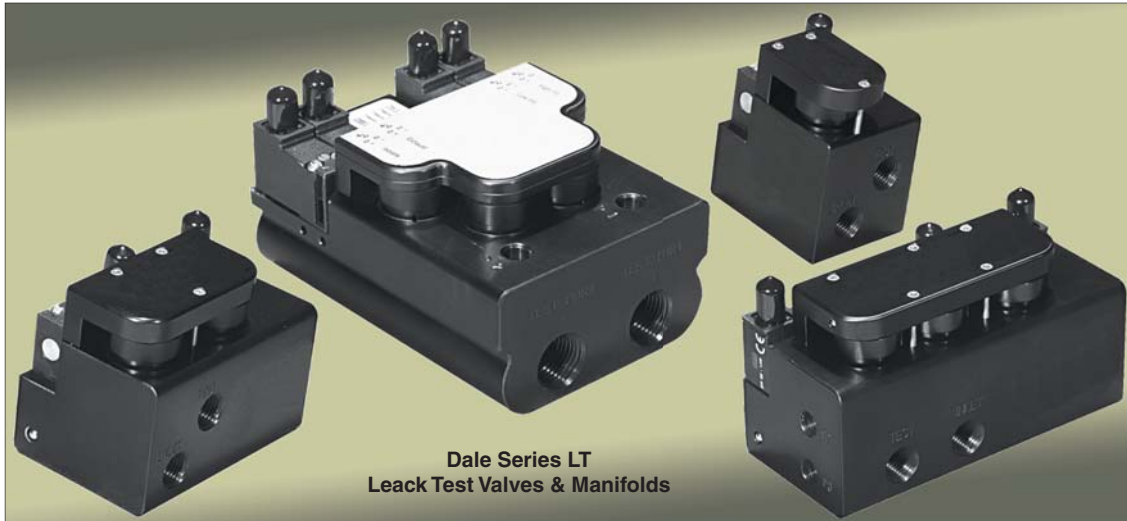
DIMAFLUID s.a.s.
France
Fax: 33-01-4945-6530
dimafluid@dimafluid.com

ROSS CONTROLS (CHINA) Ltd.
China
Fax: 86-21-6915-7960
alvinzhurong@vip.163.com

New Product Information

Dale Series LT Leak Test Valves & Manifolds

2/2, 3/3, 3/4, 4/4, 5/4
Normally Closed
1/4" and 1/2" Ported



STANDARD SPECIFICATIONS:

Pilot Solenoid: DC power.
Rated for continuous duty.

Standard Voltages: 120 volts AC, 50/60 Hz;
24 volts DC.

Power Consumption:
Per Solenoid: 3 VA on AC; 2.5 watts on DC.

Ambient/Media Temperature:
40° to 120°F (4° to 50°C).

Flow Media: Filtered air; 5 micron
recommended.

Sensor Port: 1/8 NPT sensor ports.

Pilot Pressure: 50 to 145 psi (3.4 to 10 bar).
Must be equal to or greater than inlet pressure.

Inlet Pressure: 2 to 145 psi (0.13 to 10 bar).

Port Threads: NPT standard, BSPP.

GENERAL:

Bubble Tight – Patented poppet design provides exceptional sealing capabilities.

High Flow – Internal 1/2" orifice with flow range from 2.2 to 5.0 C_v.

Sensor Ports – Integrated flow and pressure sensor ports eliminates the need for extra fittings.

Temperature Effects – Reduce heating effects with solenoids drawing less than 2 watts each.

Eliminate Tubing – The manifold design reduces leak paths by eliminating valve connections.

Flexibility – Independent internal poppets improve application adaptability.

FEATURES:

- Cost effective
- Compact design
- Robust construction
- Continuous duty rated
- Non-Lube service
- High flow
- Leak tight
- Ease of maintenance and repair

APPLICATIONS:

- Directional control
- Pressure isolation
- Pressure decay test
- Bypass fill valve
- Isolation valve
- Flow test
- Differential pressure test
- Two channel pressure decay test

Note: For fluid applications, consult ROSS.

LT Series Solenoid Pilot Valves & Manifolds

2/2 Valves

2-port 2-position, normally closed (NC) valve.

Operator: External pilot, Solenoid actuated.

Applications: Directional control, Pressure isolation.

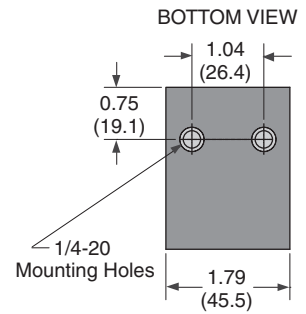
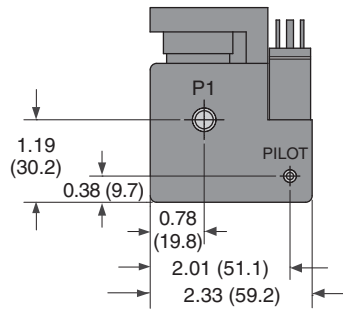
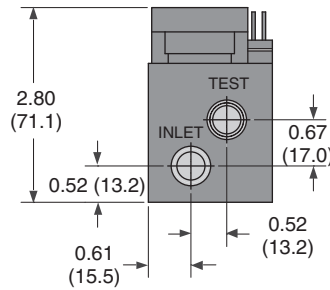
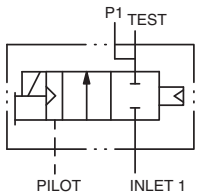
The LT 2/2 valve completes the product line with a leak tight high flow 2-way valve that is suitable for any application.

Port Size	Valve Model Number*	Avg. C_v	Dimensions inches (mm)			Weight lb (kg)
			1	2	NC	
1/4	1/4 LT12NA27500Z	2.2	2.33 (59.2)	1.79 (45.5)	2.80 (71.1)	1.0 (0.5)

*120 volts AC, 50/60 HZ; for 24 volts DC, replace suffix "Z" with "W", e.g. LT12NA27500Z.

NPT port threads, for BSPP threads, replace "N" in the model number with a "D", e.g. LT12DA27500Z.

2/2 Valve Dimensions – inches (mm)



3/3 Manifolds

Manifold Valve 3-port 3-position, normally closed.

Operator: External pilot, Solenoid actuated.

Applications: Pressure Decay, Bypass Fill and Pressure isolation.

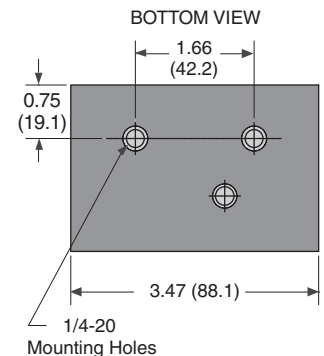
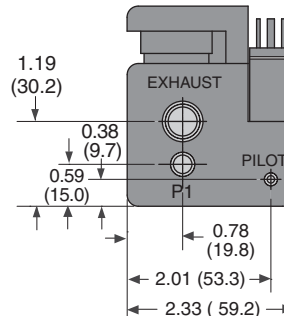
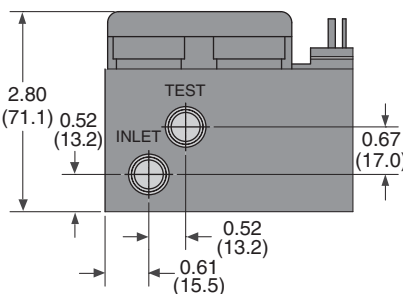
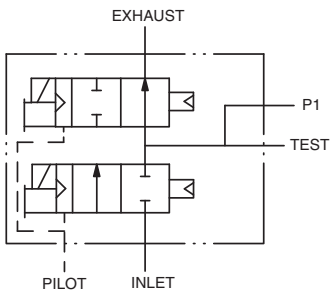
The LT 3/3 manifold is a dual solenoid 3-way valve that allows independent actuation of the inlet and exhaust functions. This special feature allows the user to pressurize a volume, close the inlet, and maintain pressure until exhausting is desired.

Port Size	Model Number*	Avg. C_v	Dimensions inches (mm)			Weight lb (kg)
			1	2	NC	
1/4	1/4 LT22NA27500Z	2.2	3.47 (88.1)	2.33 (59.2)	2.80 (71.1)	1.9 (0.9)

*120 volts AC, 50/60 HZ; for 24 volts DC replace, suffix "Z" with "W", e.g. LT22NA27500Z.

NPT port threads, for BSPP threads, replace "N" in the model number with a "D", e.g. LT22DA27500Z.

3/3 Manifold Dimensions – inches (mm)



LT Series Solenoid Pilot Valves & Manifolds

3/4 Manifolds

Manifold Valve 3-port 4-position, normally closed (NC).

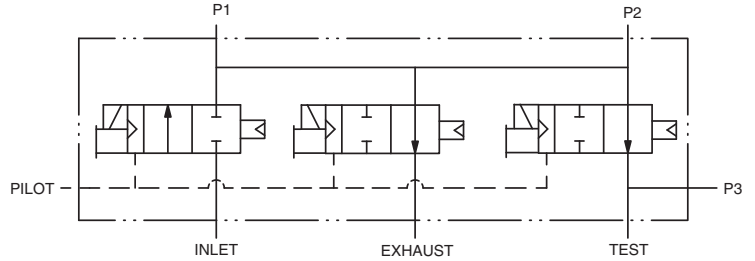
Operator: External pilot, Multi Solenoid actuated.

Applications: Single inlet for Decay, Flow, and Differential tests.

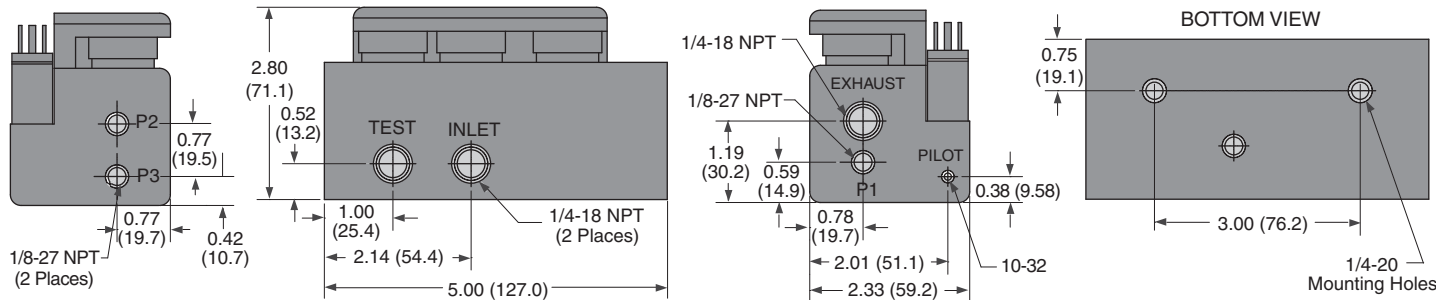
The LT 3/4 manifold has excellent flow, is compact and adaptable. This product can be field configured for flow, pressure decay, or differential pressure testing by selecting different combinations of the three sensor ports.

Pipe Size		Model Number*	Avg. C _v	Dimensions inches (mm)			Weight
1	2	NC		Length	Width	Height	lb (kg)
1/4	1/4	LT32NA27500Z	2.2	5.00 (127.0)	2.33 (59.2)	2.80 (71.1)	2.9 (1.3)

*120 volts AC, 50/60 HZ; for 24 volts DC, replace suffix "Z" with "W", e.g. LT32NA27500W.
NPT port threads, for BSPP threads, replace "N" in the model number with a "D", e.g. LT32DA27500W.



3/4 Manifold Dimensions – inches (mm)



4/4 Manifolds

Manifold Valve 4-port 4-position, normally closed (NC).

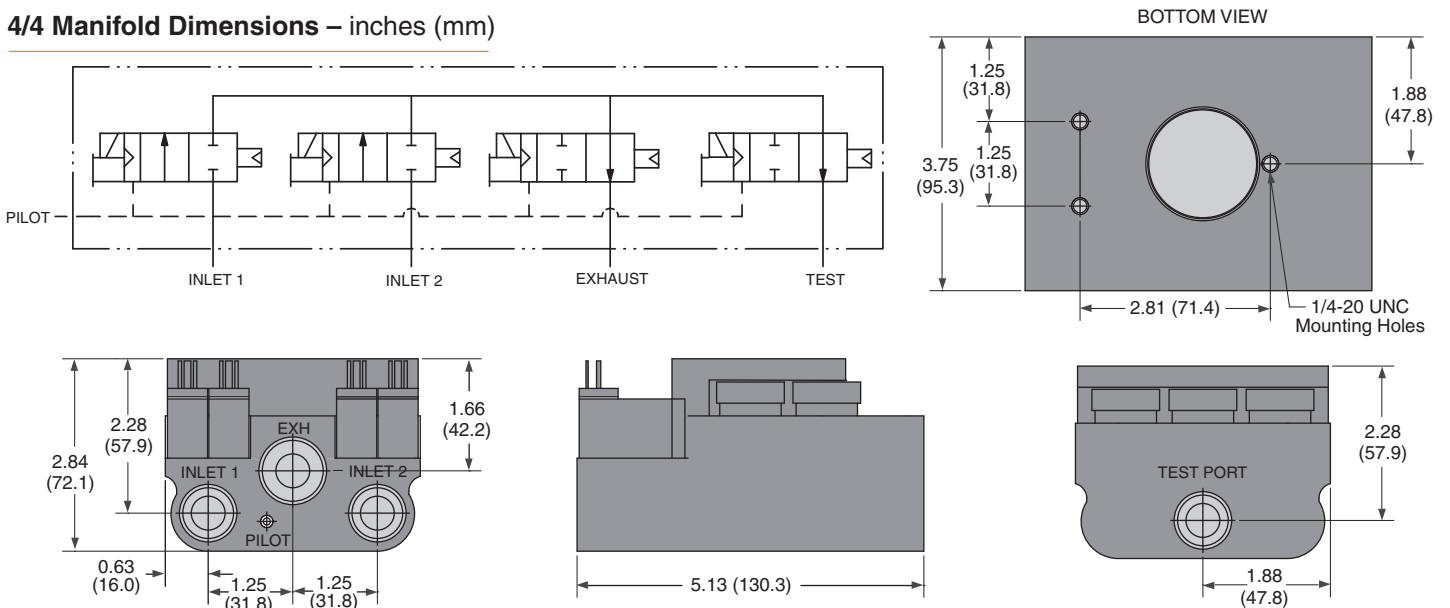
Operator: External pilot, Multi Solenoid actuated.

Applications: Flow and Pressure Decay.

Pipe Size		Model Number*	Avg. C _v	Dimensions inches (mm)			Weight
1	2	NC		Length	Width	Height	lb (kg)
1/2	1/2	LT44NA47500Z	5.0	5.13 (130.3)	3.75 (95.3)	2.84 (72.1)	3.2 (1.5)

*120 volts AC, 50/60 HZ; for 24 volts DC replace suffix "Z" with "W", e.g. LT44NA47500W.
NPT port threads, for BSPP threads, replace "N" in the model number with a "D", e.g. LT44DA47500W.

4/4 Manifold Dimensions – inches (mm)



LT Series Solenoid Pilot Valves & Manifolds

5/4 Manifolds

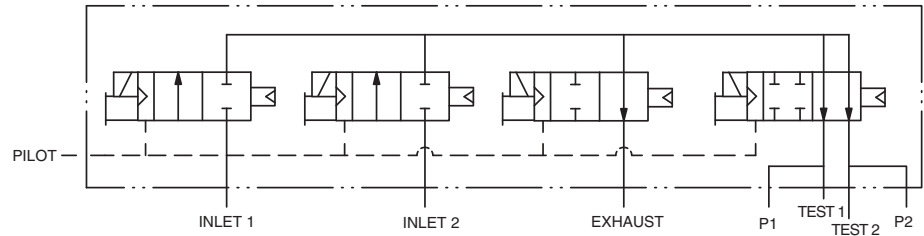
Manifold Valve 5-port 4-position, normally closed (NC).

Operator: External piloted, Multi Solenoid actuated.

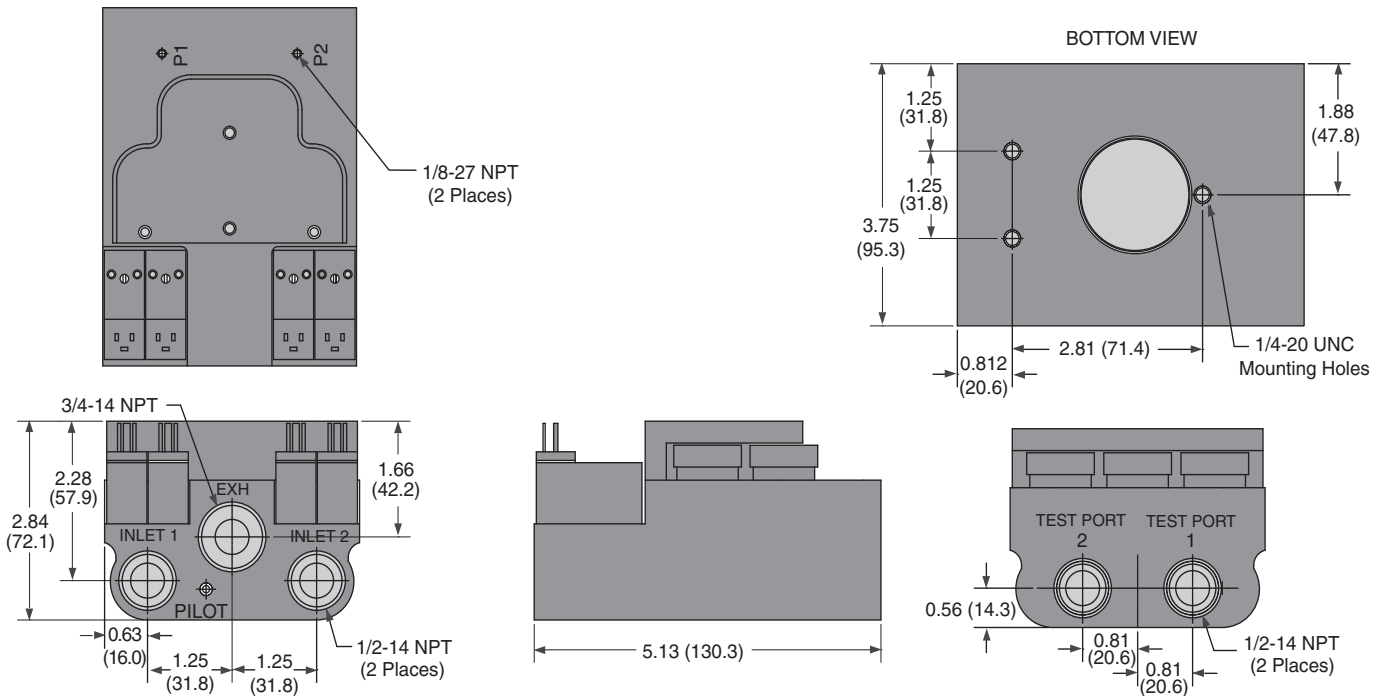
Applications: Two channel Pressure Decay, Differential Pressure.

Pipe Size	Model Number* NC	Avg. C _v	Dimensions inches (mm)			Weight lb (kg)	
			Length	Width	Height		
1/2	1/2	LT54NA47500Z	5.0	5.13 (130.3)	3.75 (95.3)	2.84 (72.1)	3.2 (1.5)

*120 volts AC, 50/60 HZ; for 24 volts DC, replace suffix "Z" with "W", e.g. LT54NA47500W.
NPT port threads; for BSPP threads, replace "N" in the model number with a "D", e.g. LT54DA27500Z.



5/4 Manifold Dimensions – inches (mm)



The LT 4/4 and 5/4 manifolds are "all in one" directional control valves designed to fill, isolate, and test pressure containing vessels. All manifolds contain integrated sensor ports for flow, pressure decay or differential pressure testing. With dual inlet ports, and independent actuation of four internal poppets these manifolds also provide a flexible, high flow, compact air distribution solution for many other applications.



ROSS CONTROLS®
U.S.A.
Customer Svs. 1-800-GET-ROSS
Technical Svs. 1-888-TEK-ROSS
www.rosscontrols.com

WARRANTY and CAUTIONS

Standard ROSS warranty and cautions apply, available upon request or at www.rosscontrols.com.

ROSS EUROPA GmbH
Germany
Fax: 49-6103-74694
info@rosseuropa.com

ROSS ASIA® K.K.
Japan
Fax: 81-427-78-7256
custsvc@rossasia.co.jp

ROSS UK Ltd.
United Kingdom
Fax: 44-121-559-5309
sales@rossuk.co.uk

ROSS CONTROLS® INDIA Pvt. Ltd.
India
Fax: 91-44-2625-8730
rossindia@airtelbroadband.in

ROSS SOUTH AMERICA Ltda.
Brazil
Fax: 55-11-4335-3888
vendas@ross-sulamerica.com.br

DIMAFLUID s.a.s.
France
Fax: 33-01-4945-6530
dimafuid@dimafuid.com

ROSS CONTROLS (CHINA) Ltd.
China
Fax: 86-21-6915-7960
alvinzhurong@vip.163.com