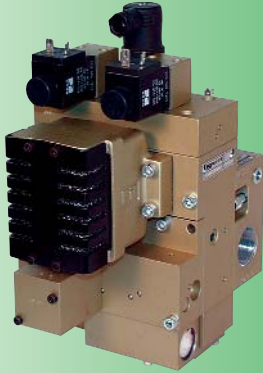




### Control-Reliable Self-Monitoring Air Valves



### Pneumatic Energy Isolation



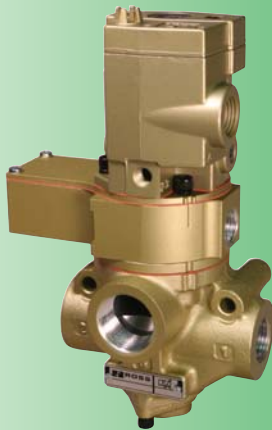
### Minimize Broken Hose Whip (featured on reverse side)



# Safety Solutions for Fluid Power

**ROSS Controls® offers an extensive selection of fluid-power safety-related products to assist you in meeting OSHA, ANSI, and CEN standards.**

### Sensing Valves with Position and State Sensing Feedback\*



\* Redundant Category-4 vertical load holding version available.

Locks vertical loads in position in the event of pressure loss.

To arrange for a safety consultation, contact your local ROSS Distributor or ROSS' Safety Industry Specialists: 248-764-1816

### Pilot-Operated Check Valves



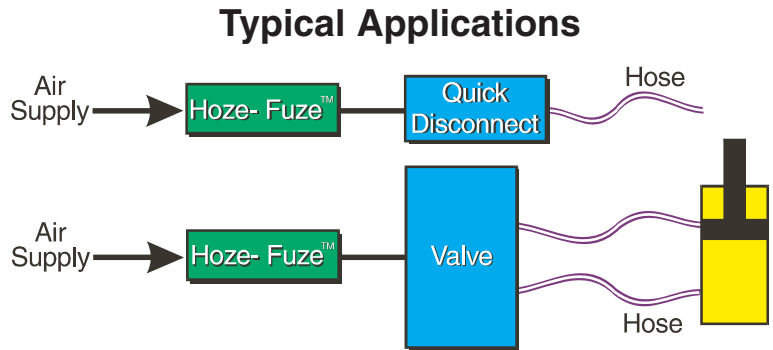
# HOZE-FUZE™

**Reduces the dangers of hose and plastic tubing failure.**



The ROSS HOZE-FUZE™ automatically reduces air flow to minimize hose whip.

Size	Thread/Porting	Part Number
1/4	NPT Male-Female	1969A2001
	BSP Male-Female	D1969A2001
3/8	NPT Male-Female	1969A3001
	BSP Male-Female	D1969A3001
1/2	NPT Male-Female	1969A4001
	BSP Male-Female	D1969A4001
3/4	NPT Female	1969A5002
	BSP Female	D1969A5002
1	NPT Female	1969A6002
	BSP Female	D1969A6002



After a hose failure, the HOZE-FUZE™ can be reset by shutting off the air supply to the HOZE-FUZE™. A minimal amount of media flow will occur after the HOZE-FUZE™ is triggered. This pilot flow will escape to atmosphere and continue until the HOZE-FUZE™ is reset, therefore, the HOZE-FUZE™ is intended to be used only with non-corrosive, non-flammable, non-hazardous gasses.

**STANDARD SPECIFICATIONS:**

**Body:** Aluminum  
**Piston:** Hostalen  
**Max. Pressure:** 260 PSI (17 Bar)  
**Temperature Range:** -4 to 275 °F (-20 to 135 °C)

Your local ROSS distributor is:

	ROSS CONTROLS®	United States	TEL: Tech Svs. 888-TEK-ROSS/Cust. Svs. 800-GET-ROSS	web site: <a href="http://www.rosscontrols.com">www.rosscontrols.com</a>
	ROSS EUROPA GmbH	Germany	TEL: 49-6103-7597-0	web site: <a href="http://www.rosseuropa.com">www.rosseuropa.com</a>
	ROSS ASIA K.K.	Japan	TEL: 81-427-78-7251	web site: <a href="http://www.rossasia.co.jp">www.rossasia.co.jp</a>
	ROSS UK Ltd.	United Kingdom	TEL: 44-121-559-4900	email: <a href="mailto:sales@rossuk.co.uk">sales@rossuk.co.uk</a>
	ROSS SOUTH AMERICA Ltda.	Brazil	TEL: 55-11-4335-2200	email: <a href="mailto:vendas@ross-sulamerica.com.br">vendas@ross-sulamerica.com.br</a>
	ROSS CONTROLS® INDIA	India	TEL: 91-44-2624-9040	
	ROSS CONTROLS® CHINA Ltd.	China	TEL: 8621-6267-5010	