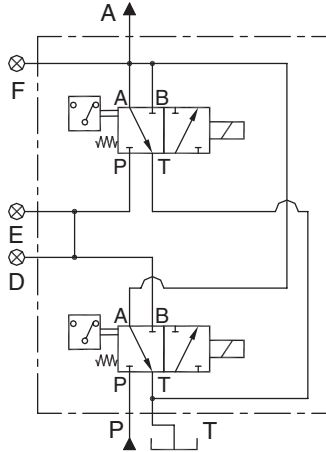


New Product Introduction

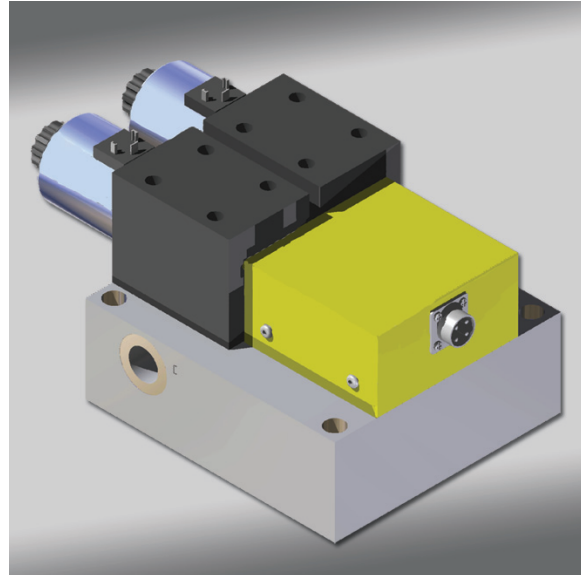
Control Reliable Hydraulic Double Valve

Size 12, 16 and 30



Ports: Inlet: SAE #12, 16 and 30
Outlet: SAE #12, 16 and 30
Tank: SAE #12, 16 and 30

Solenoid Voltage: 12, 24, 48 volts DC
115, 230 volts AC/60 Hz



GENERAL:

This valve package features redundant valve elements that allow series flow from the inlet to the outlet of the valve package and allows parallel flow from the outlet to tank. This configuration assures that if either valving element fails to operate as requested, inlet flow will be blocked and fluid from the outlet is directed to the tank. The shifting of each valving element is monitored by its own safety switch.

APPLICATIONS:

- Bending Machines • Trimming Machines • Cutting, Forming, Piercing Machines
- Special Purpose Hydraulic Applications

For additional information or order placement, consult ROSS.



ROSS CONTROLS

U.S.A.
Customer Svs. 1-800-GET-ROSS
Technical Svs. 1-888-TEK-ROSS
www.rosscontrols.com

WARRANTY and CAUTIONS

Standard ROSS warranty and cautions apply, available upon request or at www.rosscontrols.com

ROSS EUROPA GmbH
Germany
Fax: 49-6103-74694
info@rosseuropa.com

ROSS ASIA K.K.
Japan
Fax: 81-427-78-7256
custsvc@rossasia.com.jp

ROSS UK Ltd.
United Kingdom
Fax: 44-121-559-5309
sales@rossuk.co.uk

ROSS CONTROLS INDIA Pvt. Ltd.
India
Fax: 91-44-2625-8730
rossindia@airtelbroadband.in

ROSS SOUTH AMERICA Ltda.
Brazil
Fax: 55-11-4335-3888
vendas@ross-sulamerica.com.br

DIMAFLUID s.a.s.
France
Fax: 33-01-4945-6530
dimafuid@dimafuid.com

ROSS CONTROLS(CHINA) Ltd.
China
Fax: 86-21-6915-7960
alvinzhurong@vip.163.com